



WINTON HOLE BORER

WHB SERIES



OWNERS MANUAL

PLEASE READ THIS MANUAL BEFORE OPERATING MACHINERY

Congratulations on purchasing your new **Winton** machine!

Before you get started, we have provided a helpful space to jot down a few important details about your new Winton machine.

Model Number: **WHB**

Serial Number:

Date of purchase:

Factory Reference: **HMD-L**

This manual should be considered a permanent part of this machine and should remain with it even if the machine is subsequently sold.

Winton continually seeks advancements in its product design and quality. Therefore, while this manual contains the most current product information available at the time of printing, there may be minor discrepancies between your machine and this manual.

If you have any questions concerning this manual, please consult your local dealer.

First Published: May 2021

General Safety Information

Ensure all potential operators read this manual thoroughly before using the machine.

Safety: Ensure tractor and machine is stationary and keys out of ignition before set-up/maintenance.

Safety: Failure to follow good safety standards could result in severe injury or even death.

Misuse: This machine is designed for use with compact tractors, and should be used only for the indicated purpose. Winton does not take responsibility if the machine is used for any other purpose. Children must not operate the machine under any circumstance.

Modification: Do not modify equipment in any way. This may impair the operation and overall safety of the machine.

Tractor requirements: Use only with compact tractors within power range specified.

Misuse transport: Do not use machinery to transport personnel or livestock.

Condition: For the safety of personnel and optimum performance of the machine, you should check the condition of the machine and the tractor before starting. Before use check all nuts and bolts are tight.

Spatial awareness: Always check the operating area is safe before starting machinery.

Operator clothing: The operator should not wear loose clothing while operating machinery.

Safety wear: Always use appropriate ear protection when running a tractor and machinery. Ensure you are wearing protective gloves when servicing and using machinery.

Bystander safety: Ensure bystanders keep away from the machine when it is in use. Do not touch moving parts when the machine is at work.

Public places: When travelling on the road/public places, always keep the PTO turned off.

Maintenance: Always keep the machine maintained and in a good state. Where necessary, repair or replace any defective parts. Do not modify the machine.

Sharp objects: Pay attention to the sharp/pointed parts while servicing the machine.

Safety guards: All protective parts should be in good condition before operating machinery.

Safety signs/stickers: Keep all safety signs clean and legible. Replace any which are missing or illegible. If a component with safety sign(s) is replaced, make sure new safety sign(s) are attached in the same locations.

Operating speeds: Machinery and PTO should be operated at the recommended speed at all times.

Safety awareness: Good safety requires that you familiarise yourself with various safety signs, the type of warning and the area, or particular function related to that area.

Alertness: Never consume alcohol or drugs as these can hinder alertness/coordination. Consult your doctor about using this machine while taking prescription medications.

General Safety Information (Continued)

Machinery Pre-Use Checks

On receipt of your new Winton machine and again within the first 4 hours of use, or the 'shake in period', we always recommend checking over the machine.

- Check all bolts, nuts and screws are tight on the unit.
- Tighten/check any bolts and nuts securing blades.
- If your machine has belts check the tension and adjust if required.
- Apply grease to grease points if necessary.
- Check gear oil level and top up if needed. Do not overfill.

Tractor Pre-Use Checks

Check that the machine is properly attached to the tractor. Ensure that secure pins are used on the linkage mounting pins.

Be sure to add extra weights to the front of the tractor or add wheel weights if required.

Check that the tractor PTO shaft turns freely and that the machines PTO drive shaft can extend easily. Grease the PTO drive shaft using the grease points.

The chain on the PTO shaft should be checked and in a good condition. The universal joints installed should be in a good state, with proper protective parts.

Before installing the PTO shaft, the tractor and machine should be stopped and the key removed.

Install and secure all safety guards, doors and covers before starting.

Bystanders should leave the immediate area before connecting the drive to the tractor.

Running/Operating Checks

- Always keep the PTO output from the tractor at **540 RPM** when running machinery.

Post-Use Regular Checks

Check blades, belts and wearing parts. Be sure they are not damaged and blades swing freely in their mount. Repair or replace as required.

Clean machinery and check for/clear any entangled material which may have got stuck around the rotating parts.

Contents

	Pg.
General Safety information	1-2
1. Dimensions and Specifications	4
2. Set Up	5-7
3. Operation	8
4. Auger Blade & Tip Replacement	9
5. Gear Oil Change & Check	10
6. Servicing & Maintenance	11
7. Parts Diagram	12
8. Parts List	13
9. PTO Shaft Resizing	
10. Winton Product Warranty	
11. Trouble Shooting	

1. Dimensions & Specifications

Model	WHB06	WHB09	WHB12
Weight	138kg	148kg	158kg
No. Of Blades	2	2	4
Working Width	6 inches	9 inches	12 inches
PTO Turning Speed	540 RPM	540 RPM	540 RPM
Recommended Tractor HP	20-50 HP	20-50 HP	20-50 HP
Dims	177x79cm	177x79cm	177x79cm
PTO Shaft Size	130-160cm	130-160cm	130-160cm
Linkage Size	Category 1	Category 1	Category 1

2. Installation & Set-Up

Safety: Ensure tractor and machine is stationary and keys out of ignition before set-up/maintenance.

Safety: Before attaching/detaching machinery ensure the hydraulic lift system is in a neutral position.

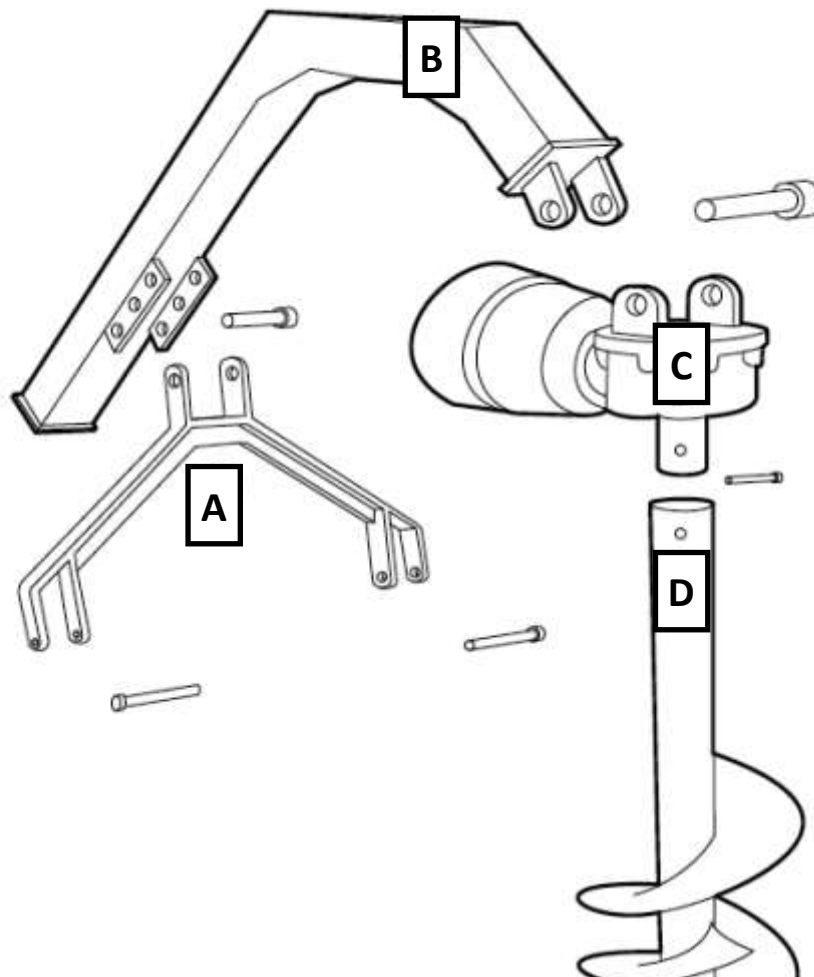
Safety: Make sure the PTO drive isn't connected at any point until instructed to do so.

You will need:

Your tractor, a 2nd set of hands to assist with fitting, linkage pins, PTO shaft, and PPE safety wear.

Attaching The Machine

Start by finding a flat piece of ground. Position your tractor in line with the machine.



1. Connect the lower link points on the machine's A frame (**A**) to the tractor's lower linkage arms.
2. Attach the main support arm (**B**) to the tractor's top link area using the top link pin. The top point of the hole borer should fix directly to the top linkage point on the tractor. If you have a top linkage arm fitted you will need to remove this to access the mounting point.

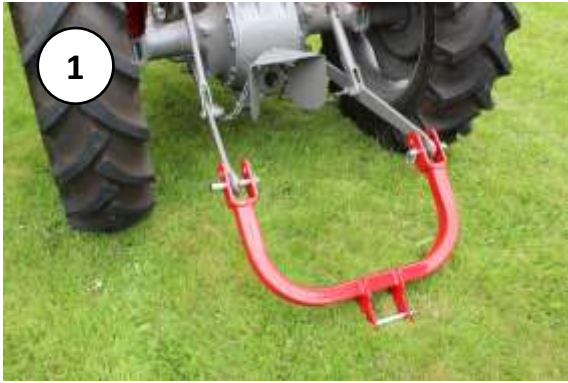
2. Installation & Set-Up (Continued)

Safety: Ensure tractor and machine is stationary and keys out of ignition before set-up/maintenance.

Safety: Before attaching/detaching machinery ensure the hydraulic lift system is in a neutral position.

Safety: Make sure the PTO drive isn't connected at any point until instructed to do so

3. Then connect the A frame **(A)** to the outer pivot hole (pivot hole furthest from the tractor) under the main boom **(B)**.
4. Raise and lower the tractor's linkage to check the range of movement. Moving the pivot pin closer to the tractor will increase the height the arm **(B)** will lift.
5. Then attach the gear box **(C)** (input PTO shaft facing the tractor) to the arm **(B)** by aligning the holes and inserting the mounting pin.
6. Check the length of the PTO drive shaft by separating the telescopic shaft and attaching one section to the tractor PTO and the other to the digger gear box. Hold both sections together and parallel. Lower the main arm 1 so the gearbox input shaft is aligned to the PTO shaft. Ensure the PTO shaft has a clearance of at least 150mm. Repeat the process at the maximum lift height of the boom. The minimum overlap must be 300mm when working and the driveline must be able to travel at least 30mm. This operation will determine the correct operating length of the drive shaft. The shaft may need to be cut to size.
7. Connect the PTO drive shaft to the gear box **(C)** and other end to the tractor PTO. Check that it correctly meshes at both ends. Always couple the two ends of the driveline and check they are locked in place. Completely insert the sprung lock pins into the grooves in the PTO shaft on both the tractor and machine sides. If a shear bolt or slip clutch safety system is used on the PTO shaft this should be mounted on the implement end.
8. Connect the auger **(D)** to the output shaft of the gear box **(C)** with the shear pins. Tighten the nuts securely.
9. Raise and lower the linkage carefully to ensure sufficient ground clearance can be maintained. Adjust the tractor's 'sway chains' or linkage adjusters to prevent any side-ways movement.



3. Operation

Safety: Ensure tractor and machine is stationary and keys out of ignition before set-up/maintenance.

Check your PTO shaft's grease points and apply grease if needed. Then attach the PTO drive shaft and ensure the locking pin is secure on both the tractor and machine sides. Attach the chain to a secure point on the tractor/implement.

Operate the machine with the tractor in low range gear and the PTO delivering 540 RPM.

Pre-Use Checklist

Before starting the machine, always check and adjust the following:

- Blade condition. [Section 4]
- Gear oil level. [Sections 5]
- Lubrication/grease points. [Section 6]
- Tightness of all bolts, nuts and screws.
- All protective guards are in place.

Working Conditions

Compacted ground and denser soil types should be covered at a slower pace for the best finish and to avoid any damage to the machine. The speed that the machine is lowered downwards should be adjusted to suit the ground being worked.

First Use Advice

Lower the tractor lift arms until the blades are near the ground without touching the ground. Working depth should only be regulated by the height of the tractor's lower linkage arms. Then engage the PTO drive to the rated speed (540 RPM).

Next, slowly lower the lift arms to the ground to allow the blades to gradually cut into the soil (do not drop the machine suddenly to the ground). If you find the machine is struggling on the surface then reduce the speed the auger is being lowered. Then lift the auger back out of the soil to release any loose soil and lower again, repeat this step as many times as necessary.

General Safety Tips

Never run the PTO or machine when the tractor is in motion.

Do not reverse with the machine unless this is strictly necessary. If unavoidable first disengage the PTO and make sure that the manoeuvre area is clear.

Never lift the implement more than 25cm from the ground with the PTO driveline engaged or the driveline could be damaged.

4. Auger Blade & Tip Replacement

Safety: Ensure tractor and machine is stationary and keys out of ignition before set-up/maintenance.

Safety: Always take care when handling and changing sharp blades.

You may wish to remove the auger from the machine to change blades. Do this by removing the pin securing the auger. If the auger is to remain attached then sufficiently lift the machine so that the blades can be accessed easily. Always support the machine on rigid supports and ensure it is stable before carrying out any work.

The blades must always be replaced if they are damaged, bent, worn or blunt.



Changing Blades

1. The blade teeth are held in using the rubber tube, pull the blade out from the unit to release this.
2. Insert the new blade and rubber tube.
3. The auger tip can be removed by unscrewing the securing nut and bolt.
4. Replace the blade and then replace the nut and screw.

5. Gear Oil Check & Change

Safety: Ensure tractor and machine is stationary and keys out of ignition before set-up/maintenance.

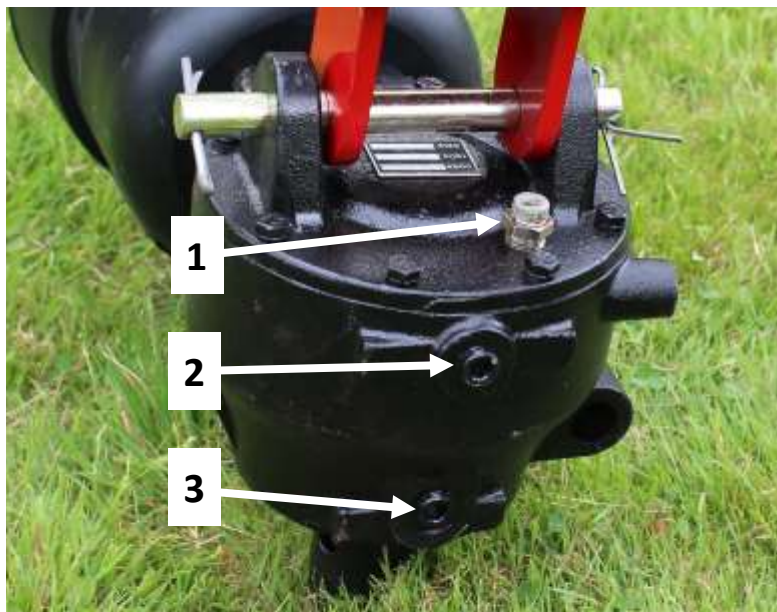
Safety: Always follow manufacturers instructions for oils and lubricants.

Important Information

Gear Oil Grade	80w90 gear oil (or equivalent)
Gearbox Oil Level	Approx. 0.5 litres to level plug
First Oil Change	50 hours use
Oil Change Frequency	250 hours/yearly (whichever is first)

Do not mix old and new oils together or mix different types of oil. Always dispose of old oils safely and in the correct manner.

Always make sure the gearbox flat and level when checking oil levels. The machine should be left at a standstill to cool down for at least 10 minutes. Ensure the machine is stable before carrying out work and will not upturn.



Oil Change/Check Gearbox

1. Remove breather/filler plug **(1)** and level plug **(2)**.
2. If draining and replacing oil remove drain plug **(3)** and let the oil drain out. Replace drain plug **(3)**.
3. The oil level should be up to the edge of level plug **(2)**.
4. Top up with oil (if required) using filler hole **(1)**.
5. Replace both filler/breather plug **(1)** and level plug **(2)**.

6. Servicing & Maintenance

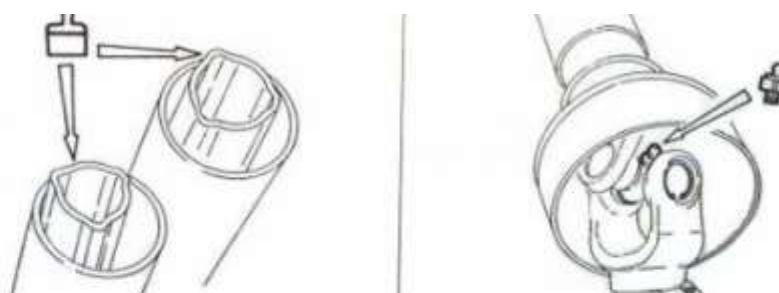
Safety: Store all lubricants away from excessive heat, dust, moisture and contaminants.

Safety: Ensure tractor and machine is stationary and keys out of ignition before set-up/maintenance.

Greasing & Lubrication Points

Grease Type	Multi-purpose lithium based grease
Grease Frequency	Check every 4-8 hours (top up if required)

Wipe grease nipples with a clean cloth before greasing to avoid injecting any dirt or grit. Press grease into each grease nipple three to five times. We recommend using a hand-held grease gun for best results. If grease nipples will not take grease, remove and clean thoroughly. Also clean lubricant passageway. If you notice any grease points are broken replace or repair them immediately.



Greasing The PTO Shaft x2

Grease both grease points on either end of the PTO shaft and apply grease to the inner shaft.

Other Maintenance

Blades: Check condition of the blades and replace if worn/broken. Always take care when handling blades, wear gloves and use suitable tools for changing blades. Always check blade bolts are secured and blades are adjusted correctly.

PTO Shaft: Check the condition of your PTO shaft and replace if worn or damaged immediately.

Cleaning: Ensure the machine is cleaned of debris. Remove debris is from any moving parts to prevent entanglement. After use, with the PTO shaft detached, turn the shaft by hand to make sure there no obstructions.

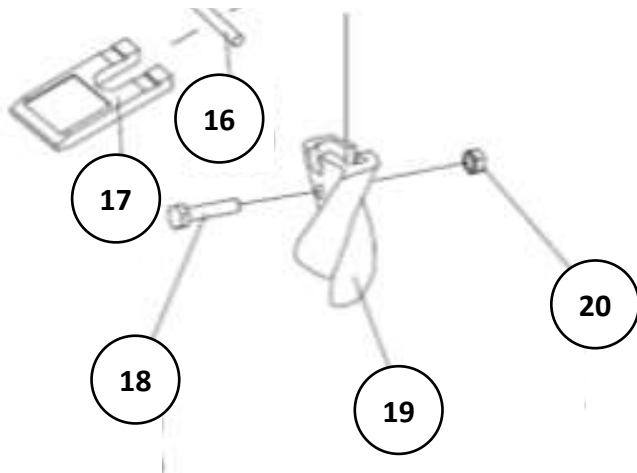
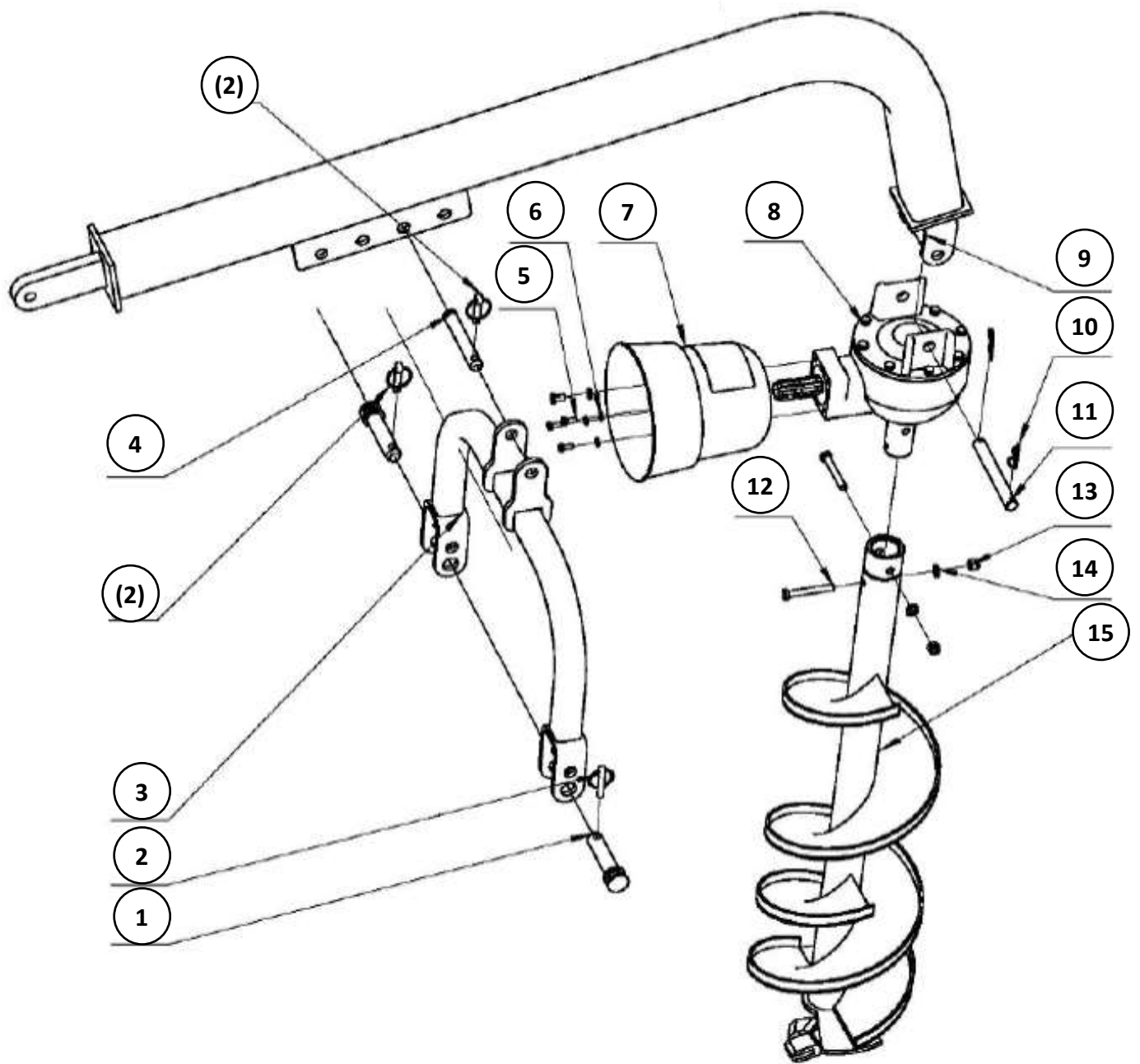
Paintwork: Re-coat any damaged paintwork to prevent corrosion.

Storage: Store the machine in a dry, level area and ensure it is stable and unable to move or overturn. Remove dirt from blades and the roller.

Safety Guards: Prior to each use check the condition of the guards. Replace if damaged or worn.

*The periods recommended are based on normal operating conditions. Severe or unusual conditions may require more frequent maintenance.

7. Parts Diagram



8. Parts List

Dia. No.	Number	Part Number	Part Description	Qty
1	703820090	RB-00.102	Lower linkage pin	2
2	700080010	200.56.011	Lock/linch pin	3
3	803800002	WX-L-03-001	A frame bracket	1
4	703800010	WX-L-00-101	A frame top pin	1
5	501011099	GB/T 5783 M8 x 20	Bolt M8X20	4
6	506010055	GB/T 97.1 8	Plain washer 8	4
7	803820041	WX-HL-13-001	PTO protection hood	1
8	803820063	WX-HL-09-001	Gear box	1
9	803800011	WX-L-02-001	Frame arm 50	1
10	703340017	ZL-25.104	Pin large	2
11	703830001	WX-HL50-00-101	Gear box to arm pin	1
12	501010762	GB/T 5782 M12 x 90	Bolt M12x90	2
13	503010763	GB/T 889.1 M12	Nut M12	2
14	506010057	GB/T 97.1 12	Plain washer M12	2
15			Auger (various sizes)	1
16	703820003	WX-HL-00-107	Securing rubber bar	2/4
17	703820002	WX-HL-00-106	Blade	2/4
18	501011102	GB5783-M8X35	Bolt M8x35	1
19	703820004	WX-HL-00-108	Auger tip	1
20	503010761	DIN985-M8	Nut M8	1

PTO Shaft Resizing

Safety: Ensure tractor and machine is stationary and keys out of ignition before carrying out any work. If you are not confident in carrying out the work consult your local supplier or mechanic.

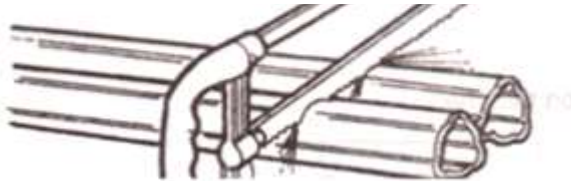
Most PTO driven implements are supplied with a standard sized PTO shaft. As all tractors vary this often means cutting it down to size. Always replace worn or damaged PTO shafts.

Attach the machine to the tractor without the PTO shaft, raise the linkage so the PTO shaft is level/horizontal. Measure the length between tractor PTO and the machine's shaft. If the compressed (closed) PTO shaft length exceeds the one measured here then the driveline will need to be cut.

1. PTO length adjustment, first remove PTO shaft shielding.



2. Shorten the driveline tubes to proper equal lengths.



3. Tidy edges of the drive tube with a file and clean all fillings from the tubes.



4. Shorten the equally long guard tubes to the same length as the driveline tubes.



5. Grease the internal driveline tube.



6. Fit the guard on the shaft.



7. Make sure that the length allows for at least 16cm (6 inches) of overlap.



Winton Product Warranty

We always strive to create great products, but when something does go wrong we have a strong network of resellers on hand throughout the UK to help out.

Warranty Claims

Before you get in touch here are 5 pieces of information your Winton reseller will need to progress your claim:

- Your invoice/order details - to include date of purchase
- Machine model number
- Machine serial number
- Details of the fault
- Images/videos of the fault

The Terms & Conditions

All products purchased as new are covered under our 12 month warranty from the date of purchase. During this period Winton will repair or replace defective parts free of charge. This warranty is given on the proviso that the product has been used and maintained according to the Owner's Manual.

Warranty is carried out on a return to reseller / manufacturer basis and excludes any labour or delivery / collection costs.

Exclusions

- Wearing parts are excluded; including but not limited to blades, belts and bearings.
- Modification of the product in any way will cease the manufacturers warranty.
- The machine is warranted for one year to the original purchaser, resale within the period will cease the warranty.
- Damage in transit is not covered. Claims will need to be made through the courier or your Winton reseller directly.
- Compensation for down-time, labour or loss of earnings is not covered by the warranty.
- No warranty extension will be granted for replacement parts fitted.
- Damage caused by continued use of a faulty machine will not be covered.

Your **Winton** reseller will provide their own terms and conditions upon purchase, consult this for any additional queries.

Trouble-Shooting

Safety: Ensure tractor and machine is stationary and keys out of ignition before set-up/maintenance.

WHB Problem	Solution
Noisy Machine	<p>Check all nuts and bolts are tightened</p> <p>Check the oil level in gearbox and top up if required</p> <p>Add grease to grease points</p> <p>Run at PTO speed 540 RPM</p> <p>Ensure nothing is entangled in the auger</p>
Excessive Vibration	<p>Run at PTO speed 540 RPM</p> <p>Check and remove any foreign objects from the auger area</p> <p>Check blades are in good condition and replace if broken</p> <p>Ensure blades are mounted correctly and bolts are tight</p> <p>Check auger spins freely and is not warped or damaged</p>
Blades Clogged	<p>Wait until soil has dried up if at all wet</p> <p>Lower the auger part way down into the soil then raise up to release the soil, repeat until the desired depth is achieved</p>
Insufficient Working Depth	<p>Lower the working speed of tractor</p> <p>Lower the gear of the tractor if struggling with engine power</p> <p>Make several runs on harder soil</p>

Always consult your **Winton** dealer if you have any questions about your machine.

Notes



W Winton

www.wintonmachinery.co.uk